

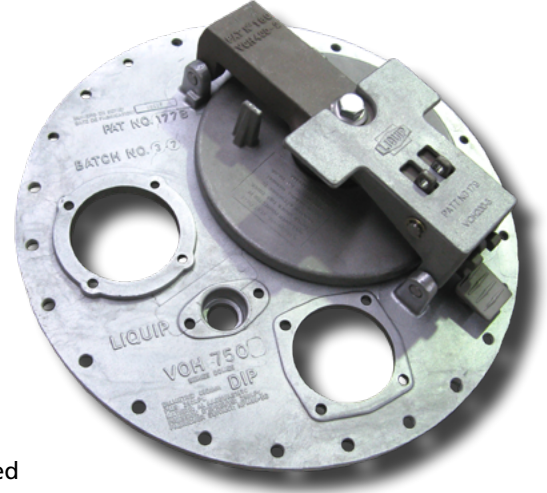
VOH750 Series Manhole Cover

Liquip offers a unique 455mm (18") diameter Manhole Cover to suit the specification of oil companies and transport fleets. Liquip's VOH750 Series Manhole Covers are available in cast aluminium and come with three equipment mounting positions for overfill protection, vapour recovery and Dip & Fill accessories.

Australian & CEN drop test approval makes these manholes ideal for both top and bottom loading.

Key Features

- Australian & CEN drop test approved.
- Cast aluminium lightweight & durable construction.
- Two stage opening mechanism enables internal pressure to be released before completely opening the manhole cover.
- 225mm (9") emergency pressure vent included to enable bulk pressure release in event of a fire or rollover.
- Emergency vent doubles as an easy to open inspection hatch for top loading or visual inspection.
- Can be fitted with a 1" thermal pressure & vacuum vent complying with recognised industry codes (for thermal expansion purposes).
- Any mounting positions not utilised can be securely blanked off until required.
- Available with either plain or lockable handle.
- Secure Locking Feature via Gravity Latch or Lockable Bridge & Handle.
- Fully metric hatch and accessories for enhanced serviceability.



VOH7506A8A0 model shown

Adjustment or Service

Periodically check the seals & gaskets, check emergency vent for correct opening pressure.

Materials

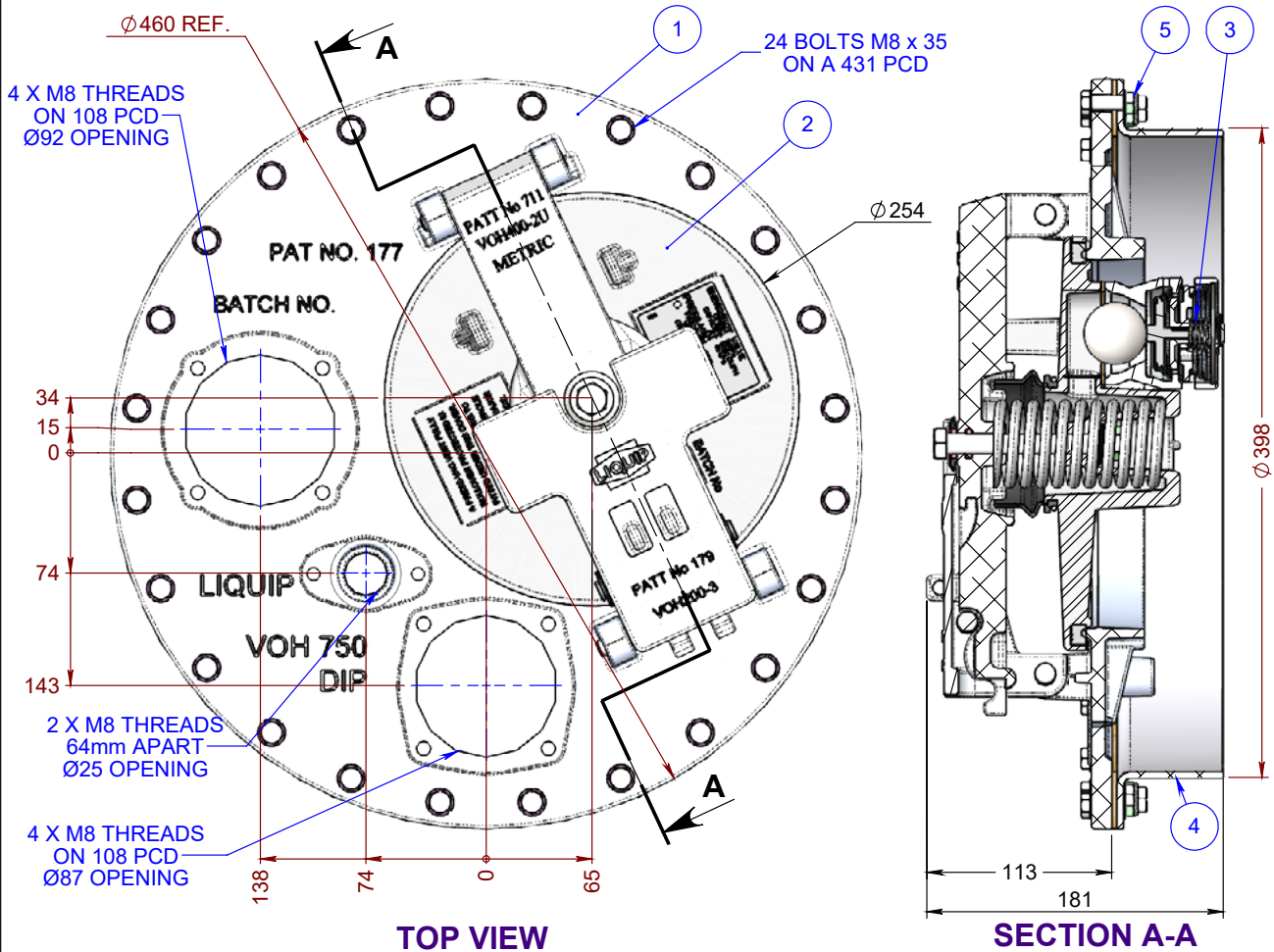
- All major components are aluminium.
- All seals are nitrile rubber.
- Coamings available in steel or aluminium to suit tanker material.

Specifications

Regulations	Passes the Australian & CEN drop Tests.
Mounting	The VOH750 series is attached to the manhole coaming using a 24 bolt pattern.
Weight	8.3kg (without coaming & mounted accessories)
Associated Equipment	VOH700-26: Aluminium Coaming. VOH700-26M: Mild Steel Coaming. AVV3.0-10M: Vapour Recovery Blank Plate VOH700TH-13M: Dip & Fill Blank Plate VOH700TH-14M: Overfill Blank Plate UG101: Ullage Gauge



VOH750 SERIES



ITEM 2: MODEL SHOWN WITH PLAIN HANDLE, 30kPa SPRING & LABEL FOR PVV104M (SUB-ASSEMBLY VOH501-32A)
 VARIANTS: PLAIN HANDLE, 20kPa (3 PSI) SPRING & LABEL FOR PVV104M (SUB-ASSEMBLY VOH501-32B)
 PLAIN HANDLE, 30kPa SPRING & LABEL FOR PVV104UM (SUB-ASSEMBLY VOH501-32U),
 LOCKABLE HANDLE, 30kPa SPRING & LABEL FOR PVV104M (SUB-ASSEMBLY VOH501-33A)
 LOCKABLE HANDLE, 20kPa (3 PSI) SPRING & LABEL FOR PVV104M (SUB-ASSEMBLY VOH501-33B)
 LOCKABLE HANDLE, 30kPa SPRING & LABEL FOR PVV104UM (SUB-ASSEMBLY VOH501-33U)

ITEM 3: PRESSURE VACUUM VENT REQUIRED IS DETERMINED BY CONFIGURATION OF ITEM 2.

ITEM 4: MODEL SHOWN WITH ROLLED ALUMINIUM COAMING VOH700-26
 VARIANT: MILD STEEL COAMING VOH700-26M
 COAMING SUPPLIED SEPARATELY

ITEM 5: GASKET & FASTENER SUB-ASSEMBLY IS SUPPLIED SEPARATELY.

NOT SHOWN: GRAVITY LATCH SUB-ASSEMBLY (ADD IF REQUIRED - VOH501-34Z)

ITEM NO.	PART NUMBER	DESCRIPTION	VOH750	MATERIAL
1	VOH750-1	COVER MANHOLE	1	ALUMINIUM
2	VOH501-32A	EMERGENCY VENT, PLAIN BRIDGE AND HANDLE	1	ALUMINIUM
3	PVV104M	PRESSURE AND VACUUM VENT	1	ALUMINIUM
4	VOH700-26	COAMING ALUMINIUM 24 BOLT	1	ALUMINIUM
5	VOH700-36Z	GASKET & FASTENER KIT	1	NBR CORK